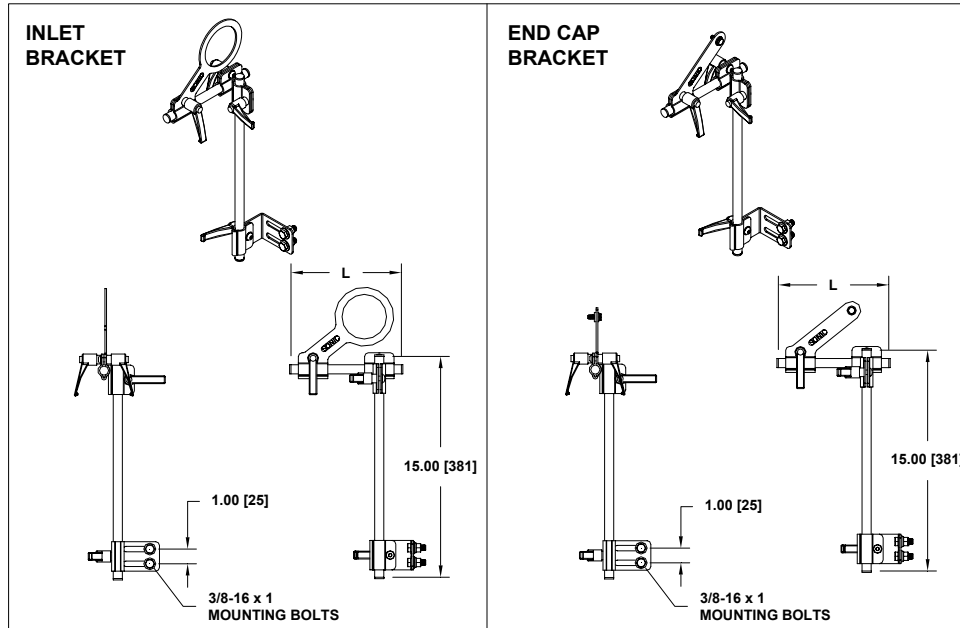


# Component Specification Sheet

## - Quick Release Brackets -

### Interface Dimensions



### Component Specifications

Sonic P/N English / Metric	Description	Material	Finish	Length (L)	End Fitting #1	End Fitting #2	Weight
13197 / 13275	Bracket-2" Nozzle	300 Series SS	#4	7.5 in (191 mm)	Inlet	N/A	3.0 lbs (1.4 kg)
13198 / 13276	Bracket-3" Nozzle	300 Series SS	#4	7.5 in (191 mm)	Inlet	N/A	3.0 lbs (1.4 kg)
13201 / 13280	Bracket-2" or 3" XE Airknife w/ Middle Inlet	300 Series SS	#4	7.5 in (191 mm)	End Cap	End Cap	5.0 lbs (2.3 kg)
13077 / 13278	Bracket-3" XE Airknife	300 Series SS	#4	7.5 in (191 mm)	End Cap	Inlet	5.0 lbs (2.3 kg)
13199 / 13277	Bracket-2" XE Airknife	300 Series SS	#4	7.5 in (191 mm)	End Cap	Inlet	5.2 lbs (2.4 kg)
13200 / 13279	Bracket-3" XE Airknife w/ Extended Supports	300 Series SS	#4	15.0 in (381 mm)	End Cap	Inlet	5.3 lbs (2.4 kg)
13202 / 13281	Bracket-3" XE Airknife w/ Dual Inlets	300 Series SS	#4	7.5 in (191 mm)	Inlet Cap	Inlet	5.0 lbs (2.3 kg)