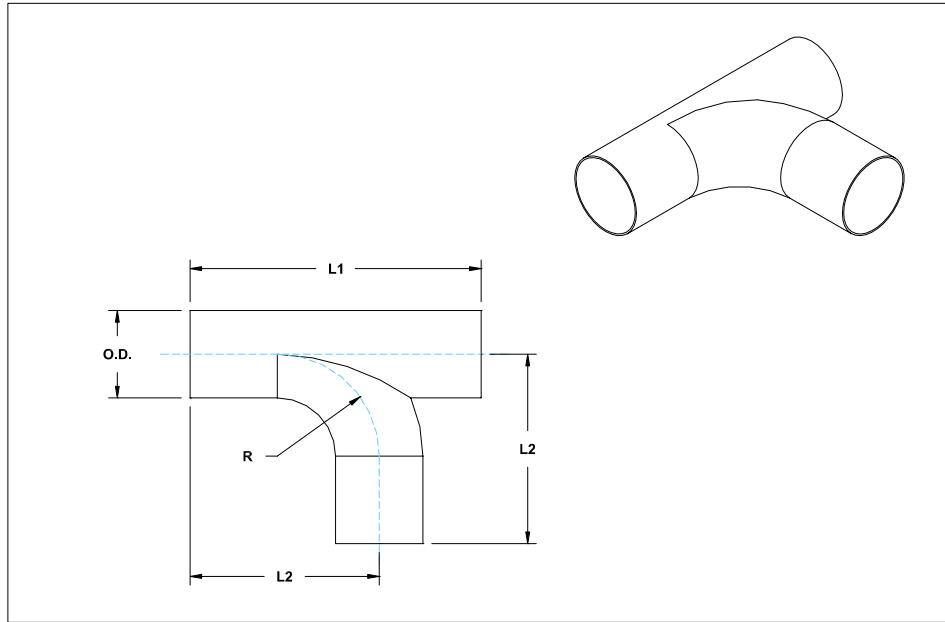


Component Specification Sheet

- T-Divider -

Interface Dimensions



Component Specifications

Sonic P/N	Description	O.D	Radius (R)	Length (L1)	Length (L2)	Material	Finish	Approximate Weight
12913	T-Divider, 3" C.S.	3.0 in (76 mm)	3.5 in (90 mm)	10.0 in (254 mm)	6.5 in (165 mm)	C.S.	Zinc Plate	2.5 lbs (1.2 kg)
12914	T-Divider, 4" C.S.	4.0 in (102 mm)	4.0 in (102 mm)	11.5 in (292 mm)	7.5 in (191 mm)	C.S.	Zinc Plate	3.7 lbs (1.7 kg)
12971	T-Divider, 3" S.S.	3.0 in (76 mm)	3.5 in (90 mm)	10.0 in (254 mm)	6.5 in (165 mm)	S.S.	Electropolish	2.5 lbs (1.2 kg)
12972	T-Divider, 4" S.S.	4.0 in (102 mm)	4.0 in (102 mm)	11.5 in (292 mm)	7.5 in (191 mm)	S.S.	Electropolish	3.7 lbs (1.7 kg)