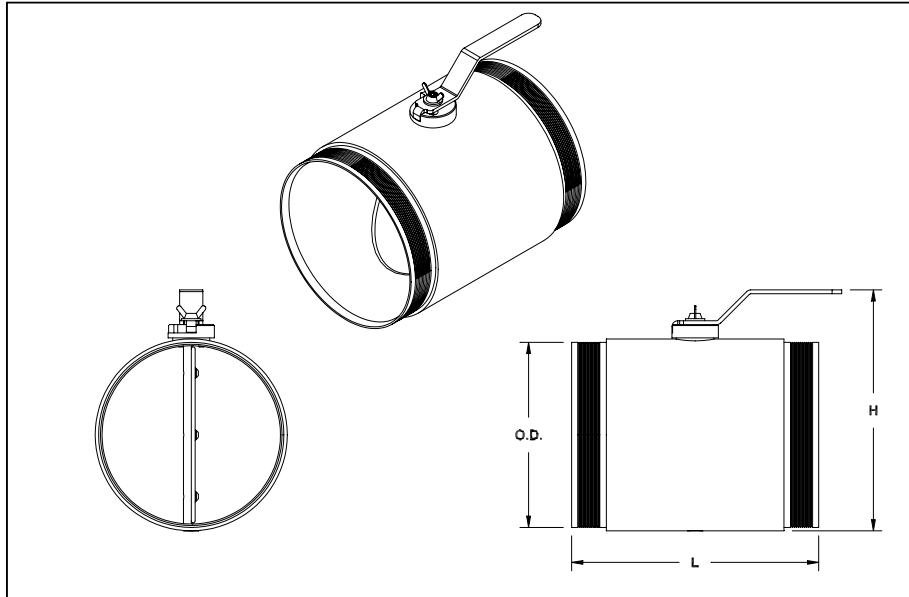


Component Specification Sheet

- Butterfly Valves -

Interface Dimensions



Component Specifications

Description	Valve – 3" Butterfly			Valve – 4" Butterfly			Valve – 6" Butterfly		
	Sonic P/N	10431	13086	13338	10515	13336	13090	12876	13337
O.D.	3.0 in (76 mm)			4.0 in (102 mm)			6.0 in (153 mm)		
Length (L)	5.0 in (127 mm)			5.0 in (127 mm)			8.0 in (204 mm)		
Height (H)	4.63 in (118 mm)			5.0 in (127 mm)			7.8 in (199 mm)		
Temperature Range	-10°F (-23°C) to 225°F (107°C)			-10°F (-23°C) to 225°F (107°C)			-10°F (-23°C) to 225°F (107°C)		
Material	6061-T6 Aluminum	6061-T6 Aluminum	300 Series SS	6061-T6 Aluminum	6061-T6 Aluminum	300 Series SS	6061-T6 Aluminum	6061-T6 Aluminum	300 Series SS
Finish	Clear Anodize	Hard Anodize	Electropolish	Clear Anodize	Hard Anodize	Electropolish	Clear Anodize	Hard Anodize	Electropolish
Approximate Weight	1.0 lbs (0.45 kg)	1.0 lbs (0.45 kg)	2.8 lbs (1.28 kg)	1.6 lbs (0.73 kg)	1.6 lbs (0.73 kg)	4.5 lbs (2.05 kg)	3.4 lbs (1.55 kg)	3.4 lbs (1.55 kg)	9.5 lbs (4.32 kg)