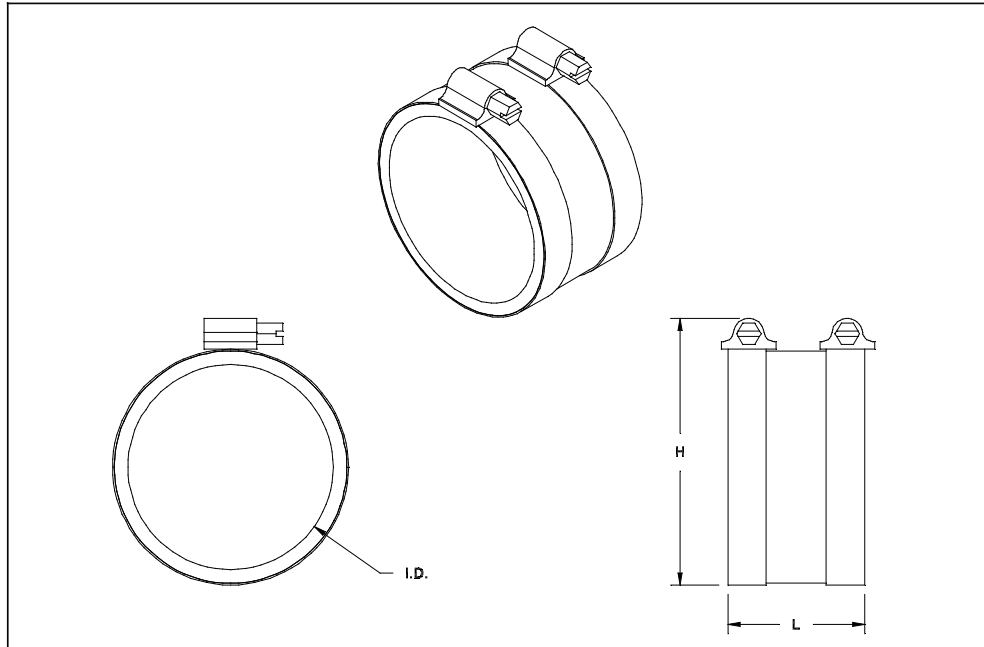


# Component Specification Sheet

## - Hose & Clamps -

### Interface Dimensions



### Component Specifications

Description	2" Hose & Clamps	3" Hose & Clamps	4" Hose & Clamps	6" Hose & Clamps
<b>Sonic P/N</b>	10038	10039	10040	12679
<b>I.D.</b>	2.0 in (51 mm)	3.0 in (76 mm)	4.0 in (102 mm)	6.0 in (153 mm)
<b>Length (L)</b>	2.0 in (51 mm)	2.0 in (51 mm)	2.0 in (51 mm)	4.0 in (102 mm)
<b>Height (H)</b>	2.6 in (66 mm)	3.9 in (99 mm)	4.9 in (125 mm)	6.9 in (176 mm)
<b>Material</b>	EPDM Sleeve 304 SS Clamps	EPDM Sleeve 304 SS Clamps	EPDM Sleeve 304 SS Clamps	EPDM Sleeve 304 SS Clamps
<b>Temperature Range</b>	-40°F (-40°C) to 275°F (135°C)	-40°F (-40°C) to 275°F (135°C)	-40°F (-40°C) to 275°F (135°C)	-40°F (-40°C) to 275°F (135°C)
<b>Approximate Weight</b>	0.25 lbs (0.11 kg)	0.32 lbs (0.15 kg)	0.38 lbs (0.17 kg)	1.1 lbs (0.50 kg)