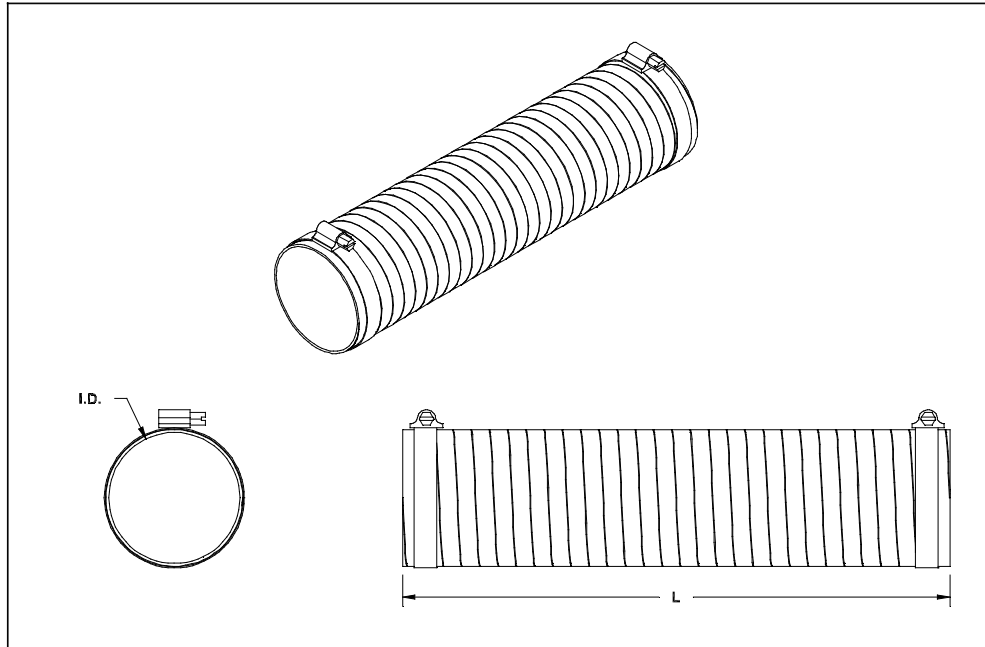


Component Specification Sheet

- Hose – Flex Neoprene -

Interface Dimensions



Component Specifications

| Description | Hose-2"ID Flex Neoprene | Hose-3"ID Flex Neoprene | Hose-4"ID Flex Neoprene | Hose-6"ID Flex Neoprene |
|---------------------------|---------------------------------------|---------------------------------------|---------------------------------------|---------------------------------------|
| Sonic P/N | 10433 | 10434 | 10435 | 12818 |
| Material | Neoprene Coated Fiber Glass Fabric | Neoprene Coated Fiber Glass Fabric | Neoprene Coated Fiber Glass Fabric | Neoprene Coated Fiber Glass Fabric |
| Temperature Range | -65°F to 300°F (-54°C to 149°C) | -65°F to 300°F (-54°C to 149°C) | -65°F to 300°F (-54°C to 149°C) | -65°F to 300°F (-54°C to 149°C) |
| I.D. | 2.0 in (51 mm) | 3.0 in (76 mm) | 4.0 in (102 mm) | 6.0 in (153 mm) |
| Max. Length (L) | 144.0 in (3.65 m) | 144.0 in (3.65 m) | 144.0 in (3.65 m) | 144.0 in (3.65 m) |
| Approximate Weight | 0.19 lbs/ft (0.28 kg/m) | 0.28 lbs/ft (0.42 kg/m) | 0.46 lbs/ft (0.69 kg/m) | 0.61 lbs/ft (0.91 kg/m) |