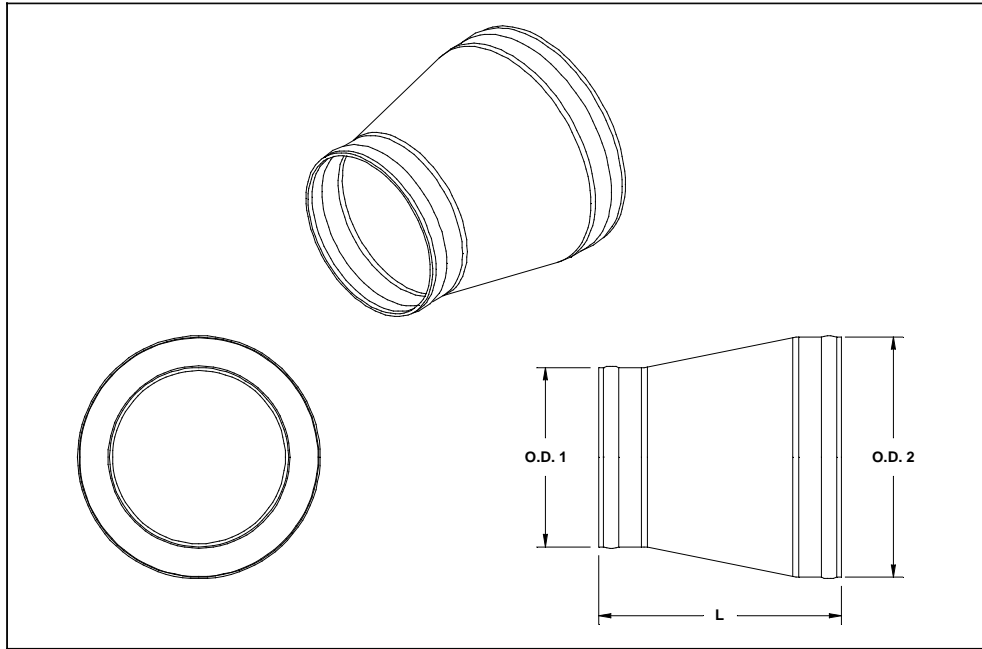


Component Specification Sheet

- Tube Reducers -

Interface Dimensions



Component Specifications

Description	Adapter – 3"OD to 2"OD	Adapter – 4"OD to 3"OD	Adapter – 6"OD to 4"OD
Sonic P/N	10841	10958	12541
O.D. #1	2.0 in (51 mm)	3.0 in (76 mm)	4.0 in (102 mm)
O.D. #2	3.0 in (76 mm)	4.0 in (102 mm)	6.0 in (153 mm)
Length (L)	4.0 in (102 mm)	4.0 in (102 mm)	10.0 in (254 mm)
Material	304 S.S.	304 S.S.	304 S.S.
Finish	Electropolish	Electropolish	Electropolish
Approximate Weight	0.28 lbs (0.13 kg)	0.30 lbs (0.14 kg)	1.46 lbs (0.66 kg)