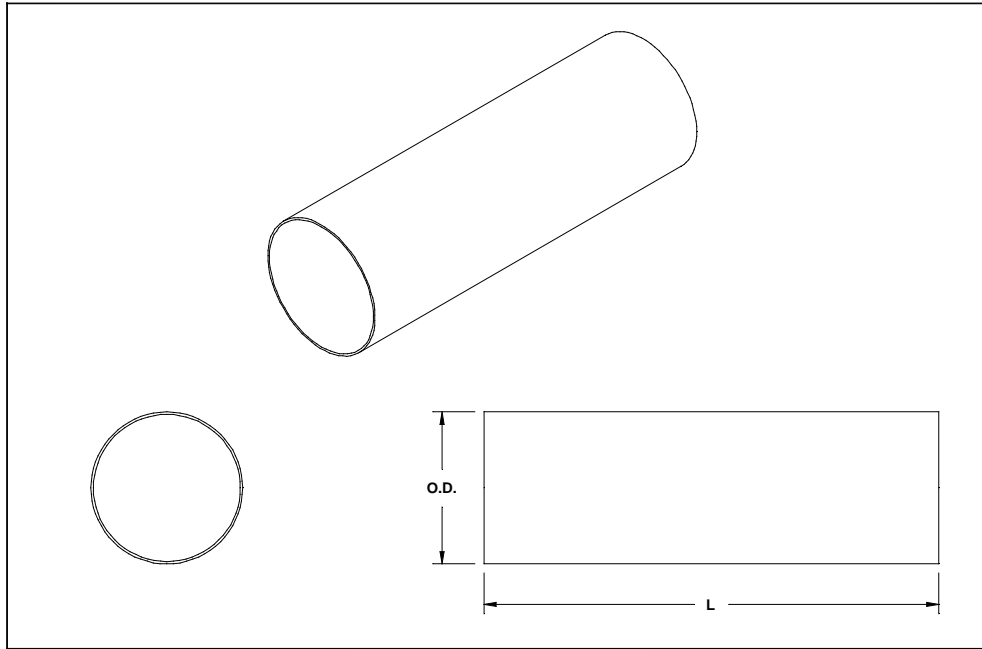


Component Specification Sheet

- Tubing -

Interface Dimensions



Component Specifications

Sonic P/N	Description	Max. (L)	O.D.	Wall Thick	Material	Finish	Approximate Weight
10844	Tube-2"OD x .065"W SS	120.0 in (3.05 m)	2.0 in (51 mm)	0.065 in (1.7 mm)	304 S.S.	Electropolish	1.36 lbs/ft (1.98 kg/m)
11194	Tube-3"OD x .065"W SS	120.0 in (3.05 m)	3.0 in (76 mm)	0.065 in (1.7 mm)	304 S.S.	Electropolish	2.04 lbs/ft (2.98 kg/m)
10415	Tube-3"OD x .065"W SS Mill Grade	120.0 in (3.05 m)	3.0 in (76 mm)	0.065 in (1.7 mm)	304 S.S.	#2	2.04 lbs/ft (2.98 kg/m)
11195	Tube-4"OD x .065"W SS	120.0 in (3.05 m)	4.0 in (102 mm)	0.065 in (1.7 mm)	304 S.S.	Electropolish	2.60 lbs/ft (3.79 kg/m)
12470	Tube-4"OD x .065"W SS Mill Grade	120.0 in (3.05 m)	4.0 in (102 mm)	0.065 in (1.7 mm)	304 S.S.	#2	2.60 lbs/ft (3.79 kg/m)
12720	Tube-2"OD x .083"W SS	120.0 in (3.05 m)	6.0 in (153 mm)	0.083 in (2.1 mm)	304 S.S.	#2	4.62 lbs/ft (6.74 kg/m)