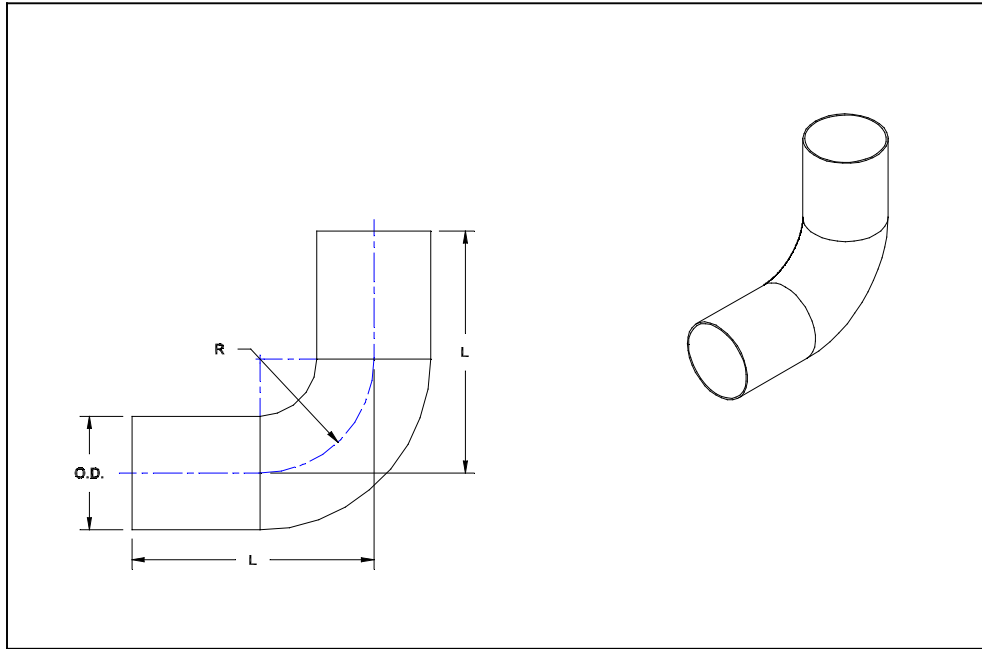


# Component Specification Sheet

## - 90° Elbows -

### Interface Dimensions



### Component Specifications

Sonic P/N	Description	O.D	Radius (R)	Length (L)	Material	Finish	Approximate Weight
11869	Elbow-2" 90 C.S.	2.0 in (51 mm)	2.0 in (51 mm)	3.56 in (91 mm)	C.S.	Plated	0.7 lbs (0.3 kg)
11736	Elbow-2" 90 S.S.	2.0 in (51 mm)	2.0 in (51 mm)	4.06 in (103 mm)	S.S.	Electropolish	0.6 lbs (0.3 kg)
11114	Elbow-3" 90 C.S.	3.0 in (76 mm)	3.0 in (76 mm)	5.56 in (141 mm)	C.S.	Plated	1.5 lbs (0.7 kg)
11737	Elbow-3" 90 S.S.	3.0 in (76 mm)	3.0 in (76 mm)	6.25 in (159 mm)	S.S.	Electropolish	1.7 lbs (0.8 kg)
10870	Elbow-4" 90 C.S.	4.0 in (102 mm)	4.0 in (102 mm)	7.56 in (192 mm)	C.S.	Plated	2.9 lbs (1.3 kg)
11738	Elbow-4" 90 S.S.	4.0 in (102 mm)	4.0 in (102 mm)	8.25 in (210 mm)	S.S.	Electropolish	3.8 lbs (1.7 kg)
12752	Elbow-6" 90 Zn	6.0 in (153 mm)	6.0 in (153 mm)	8.38 in (213 mm)	C.S.	Plated	4.5 lbs (2.0 kg)
12722	Elbow-6" 90 S.S.	6.0 in (153 mm)	6.0 in (153 mm)	11.0 in (280 mm)	S.S.	Electropolish	8.0 lbs (3.6 kg)