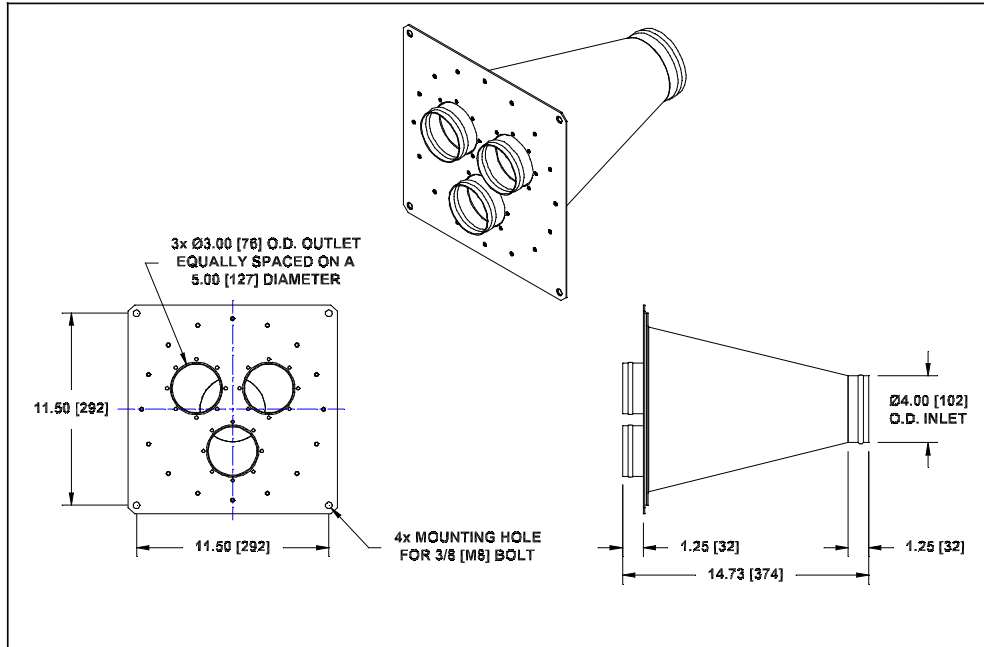


# Component Specification Sheet

## - Manifolds -

### Interface Dimensions



### Component Specifications

<b>Description</b>	Manifold-4" Inlet w/3 Ports
<b>Sonic P/N</b>	12129
<b>Number of Ports</b>	3
<b>Temperature Range</b>	-40°F (-40°C) to 220°F (105°C)
<b>Material</b>	304 S.S.
<b>Finish</b>	Electropolish
<b>Approximate Weight</b>	6.4 lbs (2.9 kg)