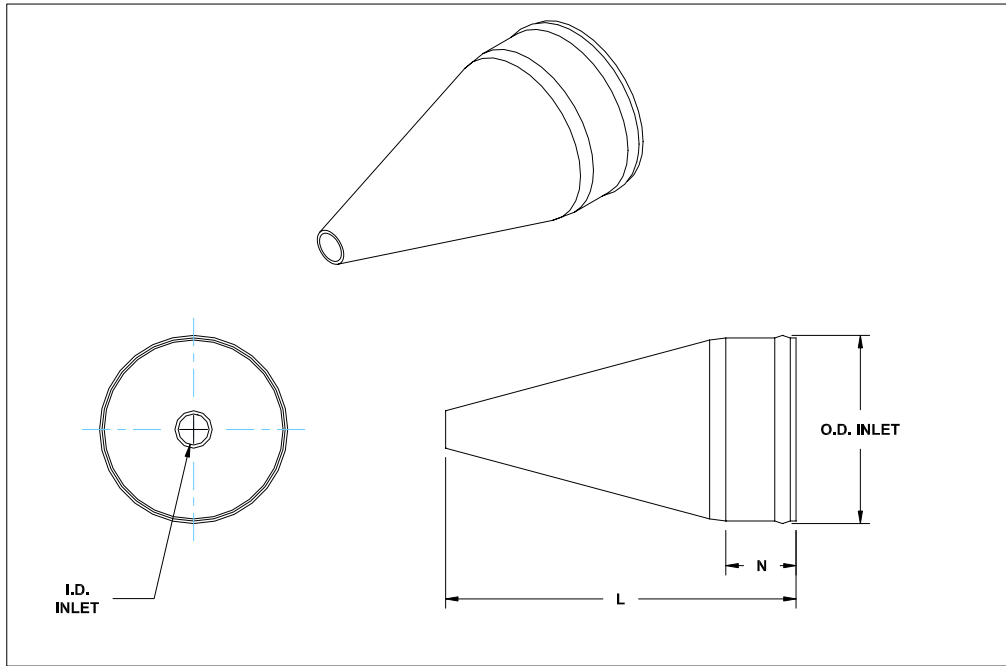


Component Specification Sheet

- Nozzles -

Interface Dimensions



Component Specifications

Sonic P/N	Description	O.D	I.D.	Length (L)	Neck (N)	Material	Finish	Approximate Weight
13210	2" OD Alum. Nozzle, 1/2" ID	2.02 in (52 mm)	.50 in (13 mm)	3.73 in (95 mm)	1.13 in (29 mm)	6061-T0 Aluminum	Hard Anodize	0.1 lbs (0.05 kg)
13211	2" OD Alum. Nozzle, 3/4" ID	2.02 in (52 mm)	.75 in (19 mm)	3.26 in (83 mm)	1.13 in (29 mm)	6061-T0 Aluminum	Hard Anodize	0.1 lbs (0.05 kg)
13212	2" OD Alum. Nozzle, 1" ID	2.02 in (52 mm)	1.00 (26 mm)	2.79 in (71 mm)	1.13 in (29 mm)	6061-T0 Aluminum	Hard Anodize	0.1 lbs (0.05 kg)
10937	2" OD SS Nozzle, 1/2" ID	2.02 in (52 mm)	.50 in (13 mm)	3.73 in (95 mm)	1.13 in (29 mm)	304 SS	None	0.2 lbs (0.1 kg)
12793	2" OD SS Nozzle, 3/4" ID	2.02 in (52 mm)	.75 in (19 mm)	3.26 in (83 mm)	1.13 in (29 mm)	304 SS	None	0.2 lbs (0.1 kg)
12061	2" OD SS Nozzle, 1" ID	2.02 in (52 mm)	1.00 (26 mm)	2.79 in (71 mm)	1.13 in (29 mm)	304 SS	None	0.2 lbs (0.1 kg)
12893	3" OD Alum. Nozzle, 1/2" ID	3.02 in (77 mm)	.50 in (13 mm)	5.63 in (143 mm)	1.13 in (29 mm)	6061-T0 Aluminum	Hard Anodize	0.2 lbs (0.1 kg)
12926	3" OD Alum. Nozzle, 3/4" ID	3.02 in (77 mm)	.75 in (19 mm)	5.16 in (132 mm)	1.13 in (29 mm)	6061-T0 Aluminum	Hard Anodize	0.2 lbs (0.1 kg)
12927	3" OD Alum. Nozzle, 1" ID	3.02 in (77 mm)	1.00 (26 mm)	4.69 in (120 mm)	1.13 in (29 mm)	6061-T0 Aluminum	Hard Anodize	0.2 lbs (0.1 kg)
12856	3" OD SS Nozzle, 1/2" ID	3.02 in (77 mm)	.50 in (13 mm)	5.63 in (143 mm)	1.13 in (29 mm)	304 SS	None	0.5 lbs (0.2 kg)
12889	3" OD SS Nozzle, 3/4" ID	3.02 in (77 mm)	.75 in (19 mm)	5.16 in (132 mm)	1.13 in (29 mm)	304 SS	None	0.5 lbs (0.2 kg)
12890	3" OD SS Nozzle, 1" ID	3.02 in (77 mm)	1.00 (26 mm)	4.69 in (120 mm)	1.13 in (29 mm)	304 SS	None	0.5 lbs (0.2 kg)